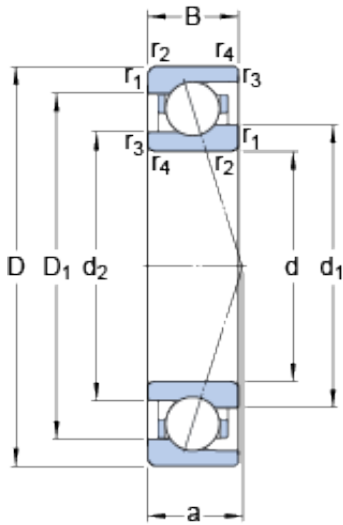




BEARING OF AMERICA CORP.



71924 ACE/HCP4A Bearing 2D drawings and 3D CAD models

120 mm x 165 mm x 22 mm SKF 71924
ACE/HCP4A angular contact ball bearings

Bearing No. 71924 ACE/HCP4A

Size	165x120x22 mm
Bore Diameter	165 mm
Outer Diameter	120 mm
Width	22 mm
d	120 mm
D	165 mm
B	22 mm
d ₁	134 mm
d ₂	130.2 mm
D ₁	151.01 mm
r _{1,2} - min.	1.1 mm
r _{3,4} - min.	0.6 mm
a	46.1 mm
d _a - min.	126 mm
d _b - min.	123.2 mm
D _a - max.	159 mm
D _b - max.	161.8 mm
r _a - max.	1 mm
r _b - max.	0.6 mm
d _n	137.4 mm
Basic dynamic load rating - C	44.9 kN
Basic static load rating - C ₀	38 kN
Fatigue load limit - P _u	1.3 kN
Limiting speed for grease	11500 r/min



BEARING OF AMERICA CORP.

Lubrication	
Limiting speed for oil lubrication	17500 mm/min
Ball - D_w	14.288 mm
Ball - z	24
G_{ref}	15 cm ³
Calculation factor - e	0.68
Calculation factor - Y_2	0.87
Calculation factor - Y_0	0.38
Calculation factor - X_2	0.41
Calculation factor - Y_1	0.92
Calculation factor - Y_2	1.41
Calculation factor - Y_0	0.76
Calculation factor - X_2	0.67
Preload class A - G_A	410 N
Preload class B - G_B	1220 N
Preload class C - G_C	2440 N
Calculation factor - f	1.18
Calculation factor - f_1	0.98
Calculation factor - f_{2A}	1
Calculation factor - f_{2B}	1.04
Calculation factor - f_{2C}	1.08
Calculation factor - f_{HC}	1.01
Preload class A	230 N/micron
Preload class B	346 N/micron
Preload class C	456 N/micron
d_1	134 mm
d_2	130.2 mm
D_1	151.01 mm
$r_{1,2}$ min.	1.1 mm



BEARING OF AMERICA CORP.

$r_{3,4}$ min.	0.6 mm
d_a min.	126 mm
d_b min.	123.2 mm
D_a max.	159 mm
D_b max.	161.8 mm
r_a max.	1 mm
r_b max.	0.6 mm
d_n	137.4 mm
Basic dynamic load rating C	44.9 kN
Basic static load rating C_0	38 kN
Fatigue load limit P_u	1.32 kN
Attainable speed for grease lubrication	11500 r/min
Attainable speed for oil-air lubrication	17500 r/min
Ball diameter D_w	14.288 mm
Number of balls z	24
Reference grease quantity G_{ref}	15 cm ³
Preload class A G_A	410 N
Static axial stiffness, preload class A	230 N/ μ m
Preload class B G_B	1220 N
Static axial stiffness, preload class B	346 N/ μ m
Preload class C G_C	2440 N
Static axial stiffness, preload class C	456 N/ μ m
Calculation factor f	1.18
Calculation factor f_1	0.98
Calculation factor f_{2A}	1
Calculation factor f_{2B}	1.04
Calculation factor f_{2C}	1.08
Calculation factor f_{HC}	1.01



BEARING OF AMERICA CORP.

Calculation factor e	0.68
Calculation factor (single, tandem) Y_2	0.87
Calculation factor (single, tandem) Y_0	0.38
Calculation factor (single, tandem) X_2	0.41
Calculation factor (back-to-back, face-to-face) Y_1	0.92
Calculation factor (back-to-back, face-to-face) Y_2	1.41
Calculation factor (back-to-back, face-to-face) Y_0	0.76
Calculation factor (back-to-back, face-to-face) X_2	0.67
Mass bearing	0.93 kg