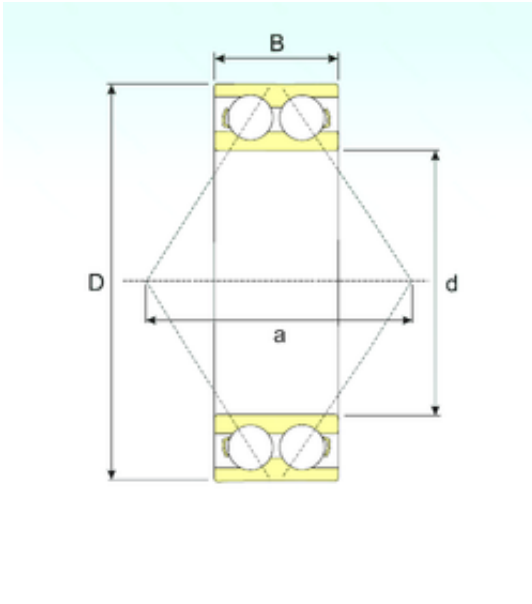




BEARING OF AMERICA CORP.



45 mm x 100 mm x 39,7 mm CYSD 5309
angular contact ball bearings

Bearing No. 5309

Size	45x100x39.7 mm
Bore Diameter	45 mm
Outer Diameter	100 mm
Width	39,7 mm
d	45 mm
D	100 mm
B	39,7 mm
C	39,7 mm
r min.	1,5 mm
Weight	1,42 Kg
Basic dynamic load rating (C)	75,1 kN
Basic static load rating (C0)	55,7 kN
(Grease) Lubrication Speed	4100 r/min

5309 Bearing 2D drawings and 3D CAD models