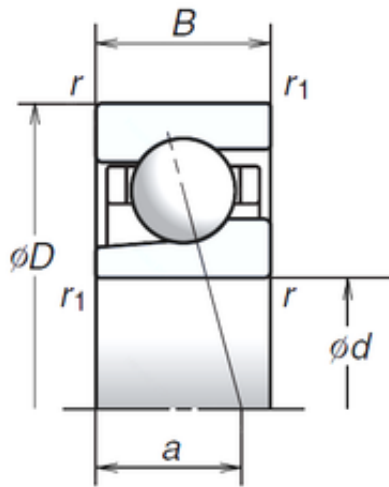




## BEARING OF AMERICA CORP.



20 mm x 42 mm x 12 mm NSK 20BGR10X  
angular contact ball bearings

Bearing No. 20BGR10X

Size	20x42x12 mm
Bore Diameter	20 mm
Outer Diameter	42 mm
Width	12 mm
d	20 mm
D	42 mm
B	12 mm
C	12 mm
Angle ( ° )	15 °
a	10,2 mm
r min.	0,6 mm
r1 min.	0,3 mm
Weight	0,059 Kg
Basic dynamic load rating (C)	7,45 kN
Basic static load rating (C0)	3,35 kN
(Grease) Lubrication Speed	71 000 r/min
(Oil) Lubrication Speed	96 800 r/min

20BGR10X Bearing 2D drawings and 3D CAD models