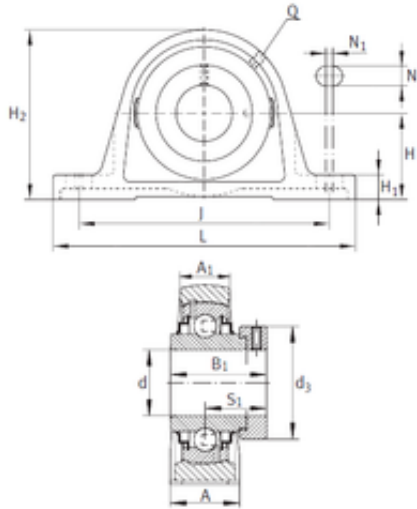




BEARING OF AMERICA CORP.



INA RASE1-15/16 bearing units

Bearing No. RASE1-15/16

Bore Diameter	49,213 mm
d	49,213 mm
S1	38,202 mm
Thread (Q)	1/8 NPT
d3	69,012 mm
A	56,998 mm
A1	35,002 mm
B	62,789 mm
H	57,201 mm
H1	21,997 mm
H2	117 mm
J	157,506 mm
L	202,5 mm
N	18,009 mm
N1	5,995 mm
Category	Pillow Block Bearings
Inventory	0.0
Manufacturer Name	SCHAEFFLER GROUP
Minimum Buy Quantity	N/A
Weight / Kilogram	3.2
Product Group	M06110
Number of Mounting Holes	2
Mounting Method	Eccentric Collar
Housing Style	2 Bolt Pillow Block
Rolling Element	Ball Bearing
Housing Material	Cast Iron

RASE1-15/16 Bearing 2D drawings and 3D CAD models



BEARING OF AMERICA CORP.

Expansion / Non-expansion	Non-expansion
Relubricatable	Yes
Insert Part Number	G1115KRRB
Seals	Double Land Riding Rubber Contact
Housing Configuration	1 Piece Solid
Inch - Metric	Inch
Other Features	Single Row Standard Shaft Height With Set Screw
Long Description	2 Bolt Pillow Block; 1-15/16" Bore; 2-1/4" Base to Center Height; Eccentric Collar Mount; Ball Bearing; 5.965" Minimum Bolt Spacing; 6-7/16" Bolt Spacing Maximum; Relubricatable; C
Category	Pillow Block
UNSPSC	31171511
Harmonized Tariff Code	8483.20.40.40
Noun	Bearing
Keyword String	Pillow Block
Manufacturer URL	http://www.ina.com
Manufacturer Item Number	RASE1-15/16
Weight / LBS	7.056
Base to Center Height	2.25 Inch 57.15 Millimeter
Bolt Spacing Minimum	5.965 Inch 151.5 Millimeter
Bore	1.938 Inch 49.225 Millimeter
Length Thru Bore	2.469 Inch 62.7 Millimeter
Actual Bolt Center to Center	0 Inch 0 Millimeter
Bolt Spacing Maximum	6.437 Inch 163.5 Millimeter
Nominal Bolt Center to Center	6.3 Inch 160 Millimeter