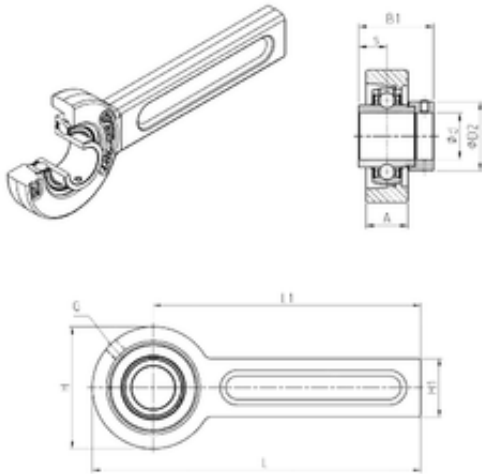




BEARING OF AMERICA CORP.

SNR EXSP205 bearing units



Bearing No. EXSP205

Bore Diameter	25 mm
d	25 mm
s	17,4 mm
A	21 mm
B1	44,3 mm
D2	38,1 mm
H	78 mm
H1	41 mm
L	264 mm
L1	225 mm
Thread (G)	R1/8"
Weight	1,8 Kg
Basic dynamic load rating (C)	14 kN
B	34.8 mm
A5	17.4 mm
d1	37.4 mm
G	R1/8"
H2	41 mm
s1	30.9 mm
S	17.4 mm
SW	3 mm
C	14 kN
C0	7.88 kN
T min.	-20 ° C
T max.	100 ° C
Recommended tightening	5.5 Nm

EXSP205 Bearing 2D drawings and 3D CAD models



BEARING OF AMERICA CORP.

torque for set screw	
Designation of housing	SP203-205/52-
Designation of bearing	EX205G2