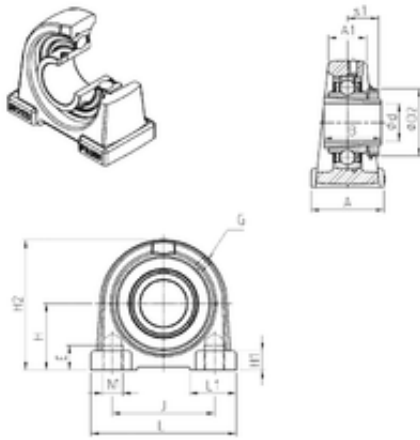




BEARING OF AMERICA CORP.

SNR UKPAE210H bearing units



Bearing No. UKPAE210H

Bore Diameter	45 mm
d	45 mm
s1	27,5 mm
A	54 mm
A1	34 mm
B	55 mm
D2	70 mm
E	20 mm
H	57,2 mm
H1	15 mm
H2	115 mm
J	101,6 mm
L	135 mm
L1	33,5 mm
Thread (G)	R1/8"
Thread (N1)	M16
Weight	2,6 Kg
Basic dynamic load rating (C)	35,1 kN

UKPAE210H Bearing 2D drawings and 3D CAD models