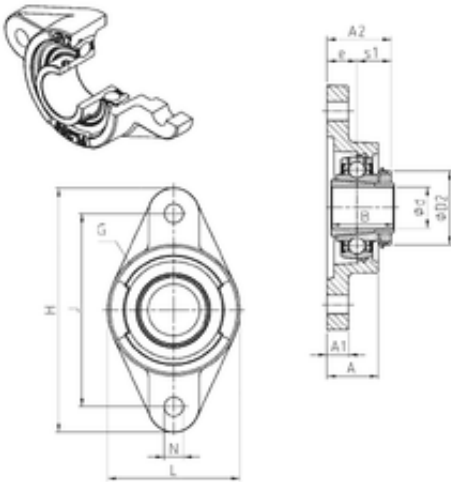




BEARING OF AMERICA CORP.



SNR UKFL322H bearing units

Bearing No. UKFL322H

Bore Diameter	100 mm
d	100 mm
e	60 mm
s1	61 mm
A	96 mm
A1	42 mm
B	105 mm
D2	145 mm
H	470 mm
J	390 mm
L	300 mm
N	44 mm
Thread (G)	M10x1
A2	121 mm
Weight	35,9 Kg
Basic dynamic load rating (C)	205 kN

UKFL322H Bearing 2D drawings and 3D CAD models