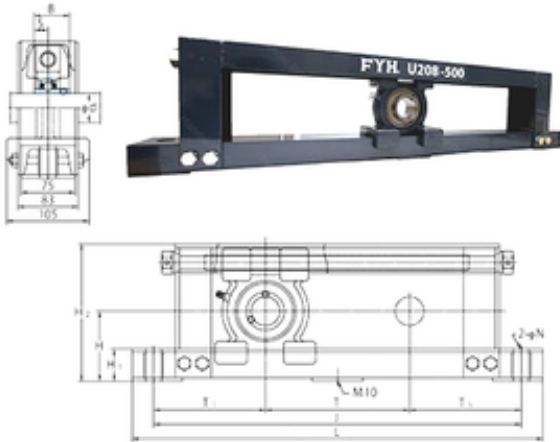




# BEARING OF AMERICA CORP.

## FYH UCTU317-900 bearing units

Bearing No. UCTU317-900



UCTU317-900 Bearing 2D drawings and 3D CAD models

Bore Diameter	85 mm
Width	96 mm
d	85 mm
T1	230 mm
B	96 mm
H	165 mm
H1	55 mm
H2	325 mm
J	1360 mm
L	1420 mm
N	22 mm
S	40 mm
T	900 mm
Bolt (G)	M18
Weight	71 Kg
Basic dynamic load rating (C)	133 kN
Basic static load rating (C0)	96,8 kN