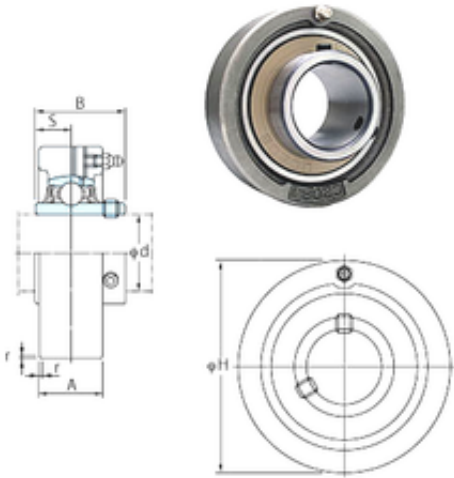




BEARING OF AMERICA CORP.

FYH UCCX10-31 bearing units

Bearing No. UCCX10-31



UCCX10-31 Bearing 2D drawings and 3D CAD models

Bore Diameter	49,2125 mm
Width	55,6 mm
d	49,2125 mm
r	2,5 mm
A	40 mm
B	55,6 mm
H	130 mm
S	22,2 mm
Weight	2,8 Kg
Basic dynamic load rating (C)	43,4 kN
Basic static load rating (C0)	29,4 kN