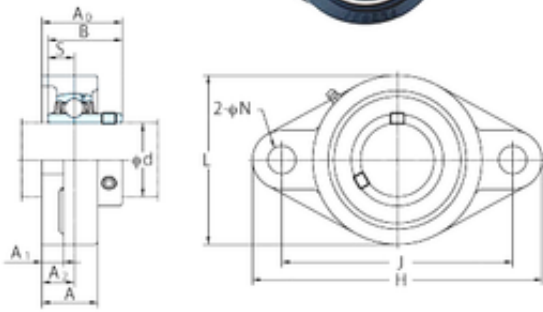




BEARING OF AMERICA CORP.

FYH UCFL320-64 bearing units

Bearing No. UCFL320-64



UCFL320-64 Bearing 2D drawings and 3D CAD models

Bore Diameter	101,6 mm
d	101,6 mm
A0	125 mm
A	94 mm
A1	40 mm
B	108 mm
H	440 mm
J	360 mm
L	270 mm
N	44 mm
S	42 mm
Bolt (G)	13,2
Bolt (G)	M39
A2	59 mm
Weight	29,4 Kg
Basic static load rating (C0)	173 kN