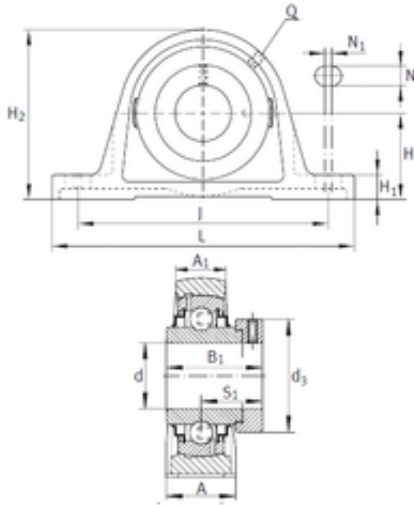




BEARING OF AMERICA CORP.



INA RAK1-1/4 bearing units

Bearing No. RAK1-1/4

Bore Diameter	31.75 mm
d	31.75 mm
S1	32,512 mm
Thread (Q)	1/8 NPT
d3	51,004 mm
A	46,508 mm
A1	29,007 mm
B	51,308 mm
H	46 mm
H1	17,399 mm
H2	92,101 mm
J	129,998 mm
L	172,009 mm
N	15,012 mm
N1	7,9 mm
Category	Pillow Block Bearings
Inventory	0.0
Manufacturer Name	SCHAEFFLER GROUP
Minimum Buy Quantity	N/A
Weight / Kilogram	1.916
Product Group	M06110
Number of Mounting Holes	2
Mounting Method	Eccentric Collar
Housing Style	2 Bolt Pillow Block
Rolling Element	Ball Bearing
Housing Material	Cast Iron

RAK1-1/4 Bearing 2D drawings and 3D CAD models



BEARING OF AMERICA CORP.

Expansion / Non-expansion	Non-expansion
Relubricatable	Yes
Insert Part Number	G1104KRRB
Seals	Double Land Riding Rubber Contact
Housing Configuration	1 Piece Solid
Inch - Metric	Inch
Other Features	Single Row Low Base With Set Screw
Long Description	2 Bolt Pillow Block; 1-1/4" Bore; 1-13/16" Base to Center Height; Eccentric Collar Mount; Ball Bearing; 4.807" Minimum Bolt Spacing; 5.429" Bolt Spacing Maximum; Relubricatable; Ca
Category	Pillow Block
UNSPSC	31171511
Harmonized Tariff Code	8483.20.40.40
Noun	Bearing
Keyword String	Pillow Block
Manufacturer URL	http://www.ina.com
Manufacturer Item Number	RAK1-1/4
Weight / LBS	3.749
Bore	1.25 Inch 31.75 Millimeter
Bolt Spacing Maximum	5.429 Inch 137.9Millimeter
Actual Bolt Center to Center	0 Inch 0Millimeter
Length Thru Bore	2.012 Inch 51.1 Millimeter
Base to Center Height	1.813 Inch 46.05 Millimeter
Nominal Bolt Center to Center	5 Inch 127 Millimeter
Bolt Spacing Minimum	4.807 Inch 122.1Millimeter