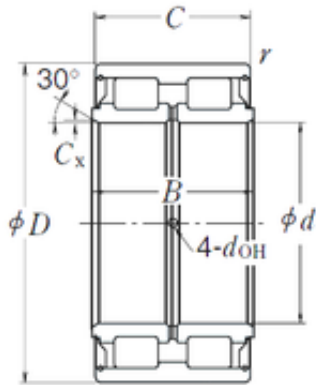




## BEARING OF AMERICA CORP.

90 mm x 140 mm x 67 mm NSK RS-5018  
cylindrical roller bearings



Bearing No. RS-5018

Size	90x140x67 mm
Bore Diameter	90 mm
Outer Diameter	140 mm
Width	67 mm
d	90 mm
D	140 mm
B	67 mm
C	66 mm
r min.	0,6 mm
C2	1 mm
Weight	3,75 Kg
Basic dynamic load rating (C)	305 kN
Basic static load rating (C0)	540 kN
hidYobi	RS-5018
LangID	1
D_	140
B_	67
hidTable	ecat_NSCLDRSG
Cx	1
mass	3.75
GRS rpm	1100
da_min	96
C0	540
DE_	130
Prod_Type3	CRB_FRFS_PT_WOLR

RS-5018 Bearing 2D drawings and 3D CAD models



## BEARING OF AMERICA CORP.

DA_	13
Z_	28
r_min	0.6
yobi	RS-5018
SDM_	117
r	66
KBRG	4220
DI_	104
doh	4